

# EFC-2800CA SERIES WAVEFORM CORRECTOR



## THE EFC-2800CA FEATURES AND BENEFITS:

- Provides 80kA to 640kA per mode single-pulse surge current
- Integrated Dissipation Technology. Energy is absorbed and dissipated within the unit, not shunted to the ground.
- Active Sine Wave tracking filter
- No additive harmonic distortion
- Patented technology of the 2800B module provides industry superior filter performance
- Reacts to transient in nanoseconds
- Status LED Indicators
- Top and Bottom feed
- 10 -Year Warranty

## EFC-2800CA GENERAL SPECIFICATIONS

**MAX SURGE CURRENT RATING:** 640kA per mode  
**REPETITIVE SURGE CURRENT RATING:** 5000 impulses using IEEE C62.41  
**PRODUCT DESIGN:** Patented waveform correction technology and fused TMOV in a convenient parallel design  
**OPERATING FREQUENCY:** 45 - 65 Hz  
**WARRANTY:** 10 Years  
**LISTING:** UL 1449 4<sup>th</sup> Edition Type 1 & Type 2 SPD  
CSA std. c22.2 No. 8-2013 Ed 5  
**SAFETY:** Fire Rating 94V-0  
**COMPLIANCE:** NEMA LS-1, NEC Surge Suppression Standards, UL 96 A

## EFC-2800CA ELECTRICAL SPECIFICATIONS

**CONNECTION METHOD:** Parallel  
**PROTECTION MODES:** L-N, L-L  
**CONTRACTOR SUPPLIED WIRE:** 00 AWG Wire  
**INTEGRATED FUSEABLE DISCONNECT:** 600VAC, 200kA I.R.  
**STATUS INDICATORS:** Local and Remote LED  
**EMI/RFI FILTER ATTENUATION:** MIL Standard 220B

The **EFC-2820CA** can hold up to two modules.  
Two base modules provide 160kA protection.

The **EFC-2840CA** can hold up to four modules.  
Four base modules provide 320kA protection.

The **EFC-2880CA** can hold up to eight modules.  
Eight base modules provide 640kA protection.

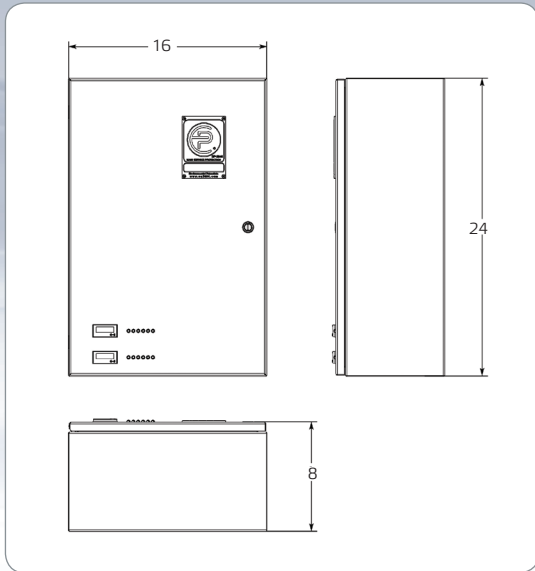
## EFC-2800CA B MODULE

- 80kA single impulse surge current
- Integrated filter with sine wave tracking
- Integrated dissipation technology

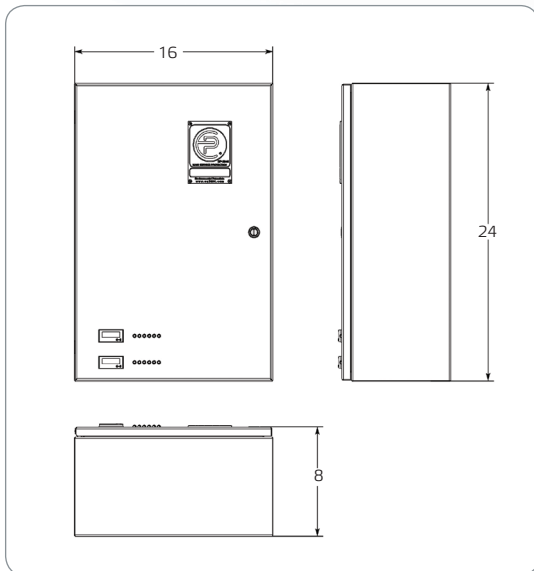
## EFC-2800CA F MODULE

- Patented technology provides industry-superior filter performance
- Protected by mandatory base module for consistent filtering
- Integrated dissipation technology

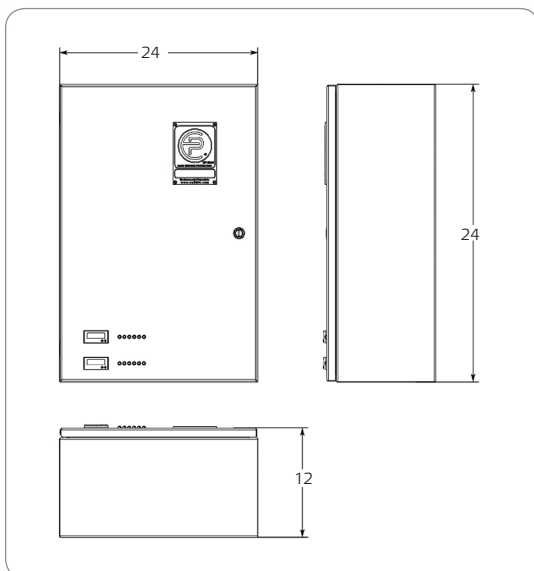
## 2820CA



## 2840CA



## 2880CA

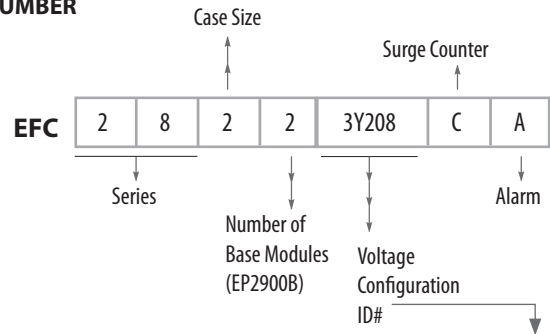


### EFC-2800CA SERIES PRODUCT ORDERING GUIDELINES

#### CASE SIZE REFERENCE

EFC-2820: 24x16x8  
 EFC-2840: 24x16x8  
 EFC-2880: 24x24x12

#### MODEL NUMBER



#### VOLTAGE CONFIGURATIONS

SYSTEM VOLTAGE	PROTECT MODE	VPR	SYSTEM CONFIGURATION	VOLTAGE ID#
Single Phase 120/240	L-N L-L	700 1000	3 Wire + G	1S240
3 Phase 120/208	L-N L-L	700 1000	4 Wire + G	3Y208
3 Phase 277/480	L-N L-L	1200 1800	4 Wire + G	3Y480
3 Phase 347/600	L-N L-L	1200 2500	4 Wire + G	3Y600
3 Phase 480V	L-L	1800	3 Wire + G	3D480
3 Phase 600V	L-L	2500	3 Wire + G	3D600

#### MECHANICAL SPECIFICATIONS

<b>DIMENSIONS</b>	24 x 16 x 8 inch 61 x 40.6 x 20.3 cm
<b>WEIGHT</b>	60 lbs. / 27.27 Kg
<b>ENCLOSURE</b>	NEMA 4, 12, 13
<b>OPERATING TEMPERATURE</b>	-40F to 140F -40C to +60C
<b>NON-CONDENSING HUMIDITY</b>	5% to 95%

\*Other voltages and configurations available upon request